



UNIVERSITY OF CAMBRIDGE INTERNATIONAL EXAMINATIONS
International General Certificate of Secondary Education

CANDIDATE
NAME

CENTRE
NUMBER

--	--	--	--	--

CANDIDATE
NUMBER

--	--	--	--	--

* 7 8 3 2 3 0 2 0 2 7 *

CO-ORDINATED SCIENCES

0654/02

Paper 2 (Core)

May/June 2008

2 hours

Candidates answer on the Question Paper.

No Additional Materials are required.

READ THESE INSTRUCTIONS FIRST

Write your Centre number, candidate number and name on all the work you hand in.

Write in dark blue or black pen.

You may use a soft pencil for any diagrams, graphs, tables or rough working.

Do not use staples, paper clips, highlighters, glue or correction fluid.

DO NOT WRITE IN ANY BARCODES.

Answer **all** questions.

A copy of the Periodic Table is printed on page 24.

At the end of the examination, fasten all your work securely together.

The number of marks is given in brackets [] at the end of each question or part question.

For Examiner's Use	
1	
2	
3	
4	
5	
6	
7	
8	
9	
10	
11	
12	
Total	

This document consists of **23** printed pages and **1** blank page.



1 Fig. 1.1 shows a section through a human eye.

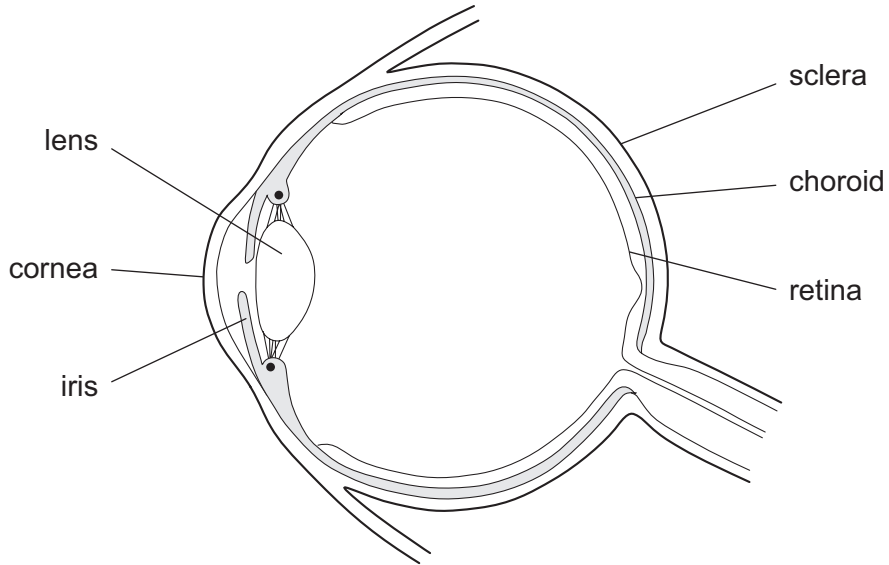


Fig. 1.1

(a) Using the labels on Fig. 1.1, list, in order, the parts of the eye through which light passes to reach the retina.

..... [1]

(b) Describe the function of the following parts of the eye.

(i) the lens

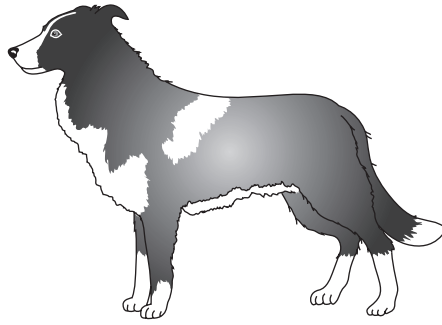
.....
.....
..... [2]

(ii) the retina

.....
.....
..... [2]

- (c) Collies are a breed of dog that have been bred to herd sheep and cattle. A recessive allele, **a**, in collies causes the choroid to develop abnormally. This can cause blindness.

For
Examiner's
Use



- (i) What is the phenotype of a collie with the genotype **aa**?

..... [1]

Breeders of collies try to make sure that none of the puppies that are born inherit this disease.

A collie breeder mates a male dog with the genotype **AA**, and a female dog with the genotype **Aa**.

- (ii) Complete the genetic diagram to explain whether any of their puppies will inherit the choroid disease.

parents	AA		Aa
gametes	all A	 and
offspring genotypes		
offspring phenotypes [3]		

- 2 (a) The mass of a golf ball is 40 g.

Its volume is 35 cm^3 .

Calculate the density of the golf ball.

State the formula that you use and show your working.

formula

working

..... g/cm^3 [2]

- (b) A golfer hits the ball.

Calculate the momentum of the golf ball when it has a velocity of 40 m/s .

State the formula that you use and show your working.

formula

working

..... kg m/s [2]

(c) The golfer's bag of clubs has a mass of 6 kg.

- (i) Calculate the weight of the bag of clubs.
Assume that the gravitational field strength on Earth is 10 N/kg.

..... N [1]

- (ii) Calculate the work done by the golfer when the bag is lifted 0.5 metres.

State the formula that you use and show your working.

formula

working

..... J [2]

For
Examiner's
Use

3 Fig. 3.1 shows some natural processes which occur on and under the Earth's surface.

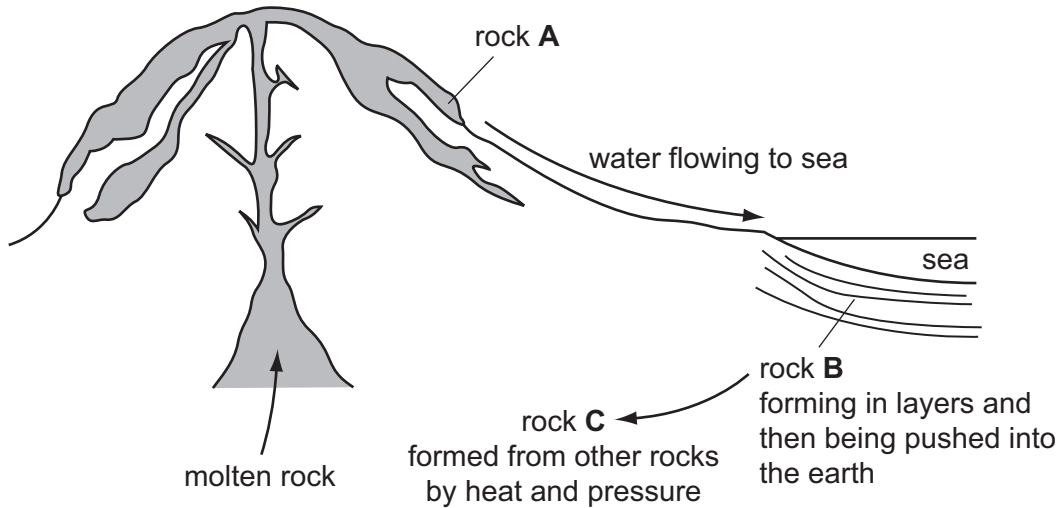


Fig. 3.1

(a) State which rock, **A**, **B** or **C**, was formed when a hot liquid cooled and changed into a solid.

..... [1]

(b) Rock **B** was formed when tiny pieces of solid were washed down into the sea by rivers and compressed. The tiny pieces of solid were produced from rock **A** whose surface had been damaged by weathering.

(i) What general name is given to rocks like rock **B**?

..... [1]

(ii) Describe **one** way in which the surface of rock **A** could have been weathered.

.....

 [2]

(iii) Underline the word in the list below which correctly names the type of weathering you have described in part (ii).

- biological** **chemical** **physical**

[1]

- (c) A sample of water flowing into the sea, as shown in Fig. 3.1, was taken to a laboratory for testing.

For
Examiner's
Use

A student observed a drop of the water under a microscope.

Fig. 3.2 shows a labelled diagram of what he saw.

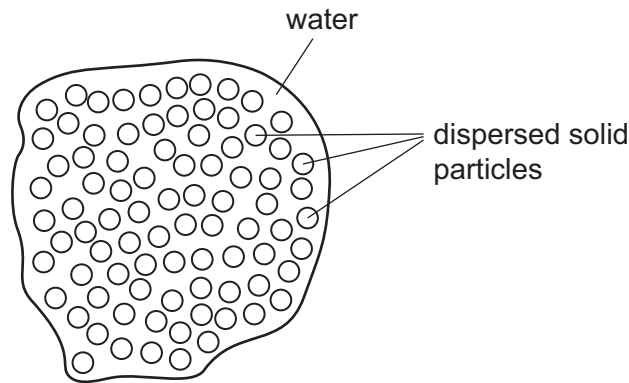


Fig. 3.2

- (i) What **general** name is given to a mixture in which one substance is finely dispersed throughout another?

..... [1]

- (ii) The student stated that the mixture he was observing was an example of an *emulsion*.

Explain whether or not the student's statement was correct.

.....

 [2]

- (iii) The student then added a few drops of acidified barium nitrate solution to some of the water. A white precipitate was formed.

What may be concluded about the water sample from this result?

.....
 [1]

4 Fig. 4.1 shows a transverse section through a leaf.

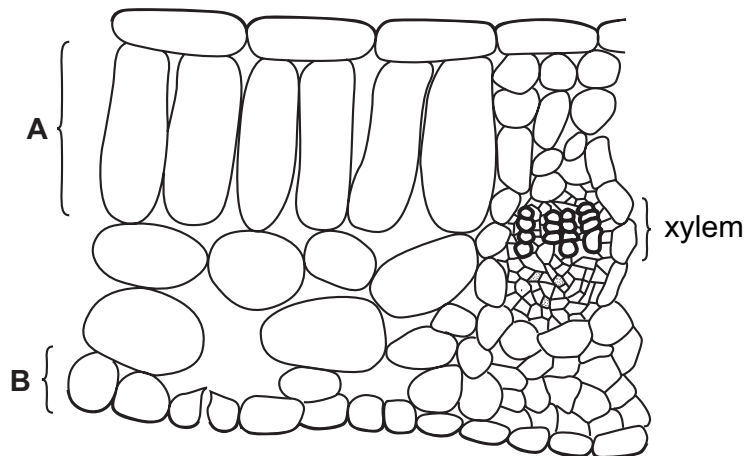


Fig. 4.1

(a) (i) Name the tissues labelled **A** and **B**.

A

B [2]

(ii) State two ways in which a cell in tissue **A** differs from an animal cell.

1.

2. [2]

(iii) On Fig. 4.1, draw an arrow to show where carbon dioxide enters the leaf. [1]

(b) State two functions of xylem tissue in a leaf.

1.

2. [2]

- 5 (a) The graph in Fig. 5.1 shows the motion of a dolphin travelling through water.

For
Examiner's
Use

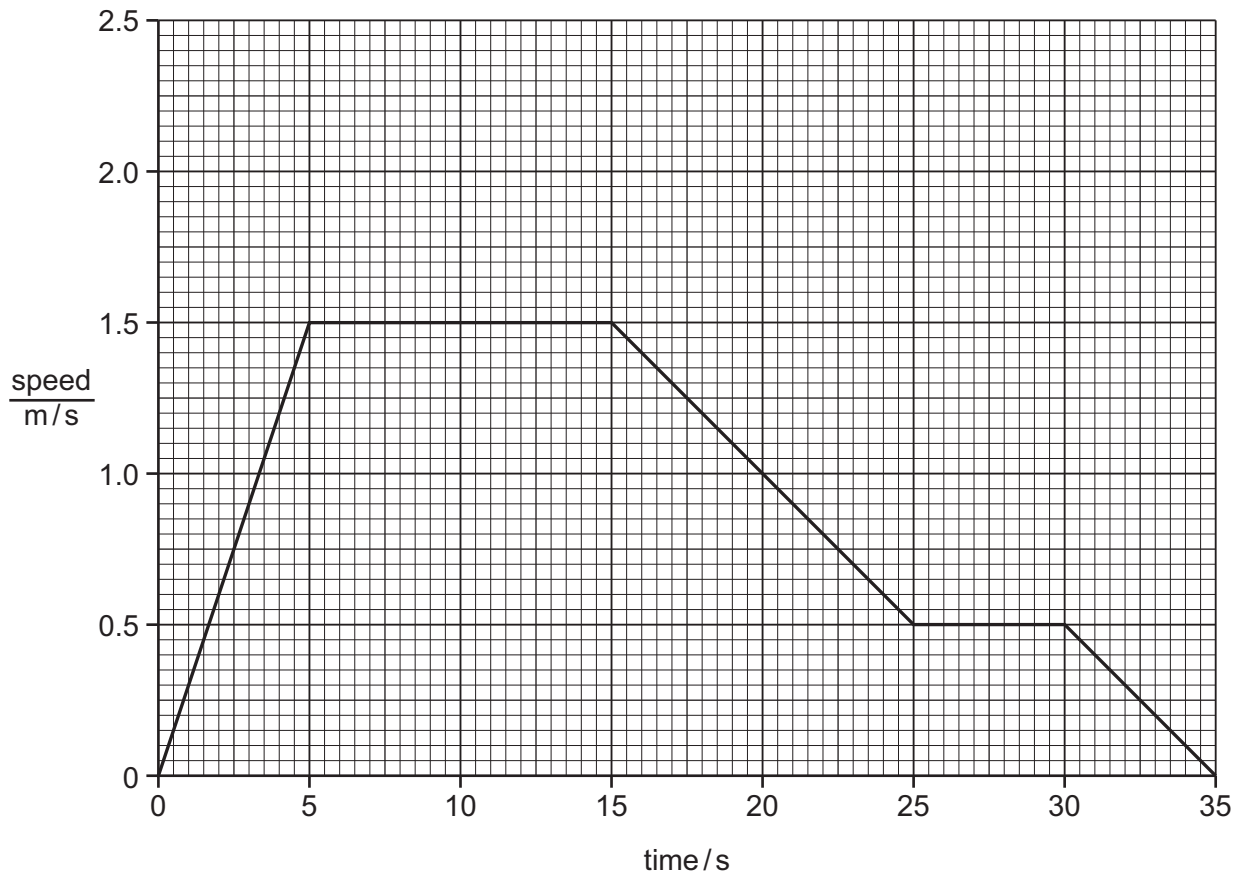


Fig. 5.1

- (i) On the graph, label with an **S** a period when the dolphin was moving at a constant speed. [1]

- (ii) Describe the motion of the dolphin between 0 s and 5 s.

..... [1]

(b) Table 5.1 shows the maximum and minimum frequencies of sounds heard by dolphins, humans and whales.

For
Examiner's
Use

Table 5.1

animal	maximum frequency / kHz	minimum frequency / Hz
dolphin	110	40
human	20	20
whale	1	2

(i) What is meant by the term *frequency*?

.....
 [1]

Which animal can hear

(ii) the greatest range of frequencies, [1]

(iii) the sound with the highest pitch? [1]

(c) A dolphin locates an object by emitting a pulse of high frequency sound.

The pulse takes 0.2 s to reach the object and return to the dolphin after reflection. The speed of the sound pulse in water is 1500 m/s.

Calculate the distance between the dolphin and the object.

State the formula that you use and show your working.

formula

working

..... m [3]

- (d) A man in a boat sees a dolphin under the water. Draw a ray of light on Fig. 5.2 to show how light travels from the dolphin's head to the man's eye.

For
Examiner's
Use



air

water

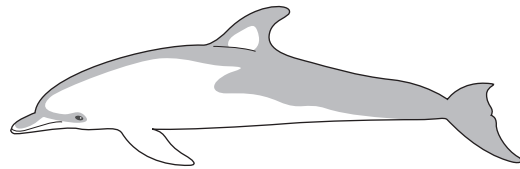


Fig. 5.2

[3]

6 Fig. 6.1 shows diagrams of some atoms of elements in Group I of the Periodic Table.

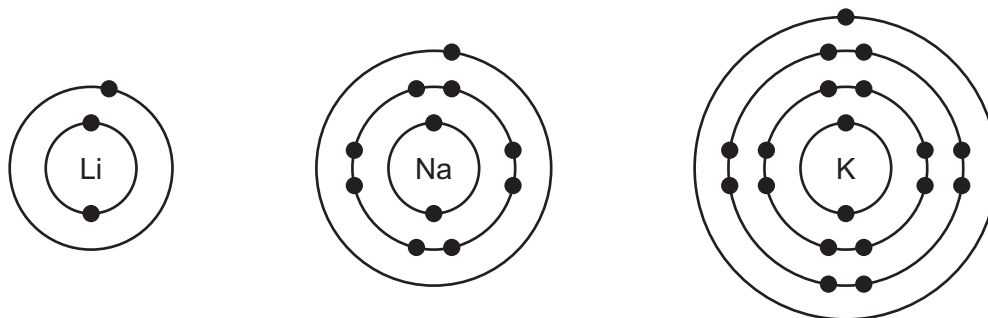


Fig. 6.1

(a) (i) Describe briefly two differences in the properties of lithium and potassium.

1.

 2.
 [2]

(ii) When sodium reacts with water, sodium atoms change into sodium ions. Draw a diagram of a sodium ion showing how all the electrons are arranged.

[1]

(iii) Rubidium is another metal in Group I. Explain why a rubidium ion has a single positive electrical charge.

-
 [1]

For
Examiner's
Use

(b) Fig. 6.2 shows apparatus a student used to investigate electrochemical cells.

For
Examiner's
Use

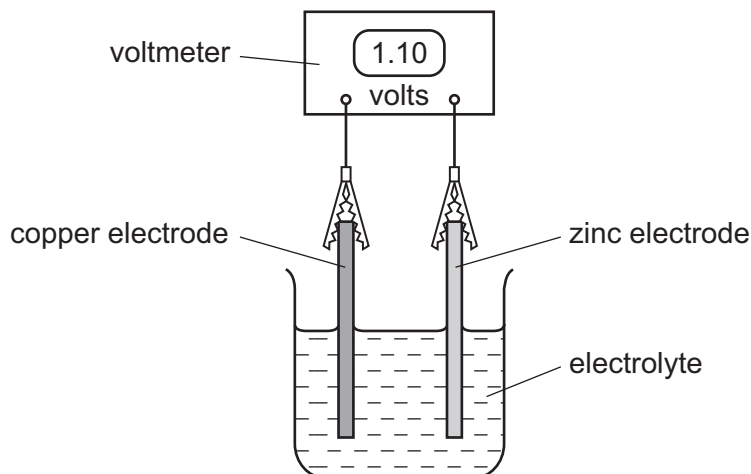


Fig. 6.2

Table 6.1 shows some properties of substances which the student thought might be suitable to produce the electrolyte.

Table 6.1

substance	type of bonding	solubility in water
calcium carbonate	ionic	insoluble
glucose	covalent	soluble
magnesium sulphate	ionic	soluble
silicon dioxide	covalent	insoluble

(i) State and explain which **one** of the substances in Table 6.1 is suitable for making the electrolyte.

.....

 [2]

(ii) Describe briefly what change the student could make to the apparatus in Fig. 6.2 in order to obtain a different value of the cell voltage.

.....
 [1]

7 A farmer has grown corn (maize) in the same field for several years.

He measured the concentration of nitrate in the soil in 2001 and in 2003.

Fig. 7.1 shows the results.

For
Examiner's
Use

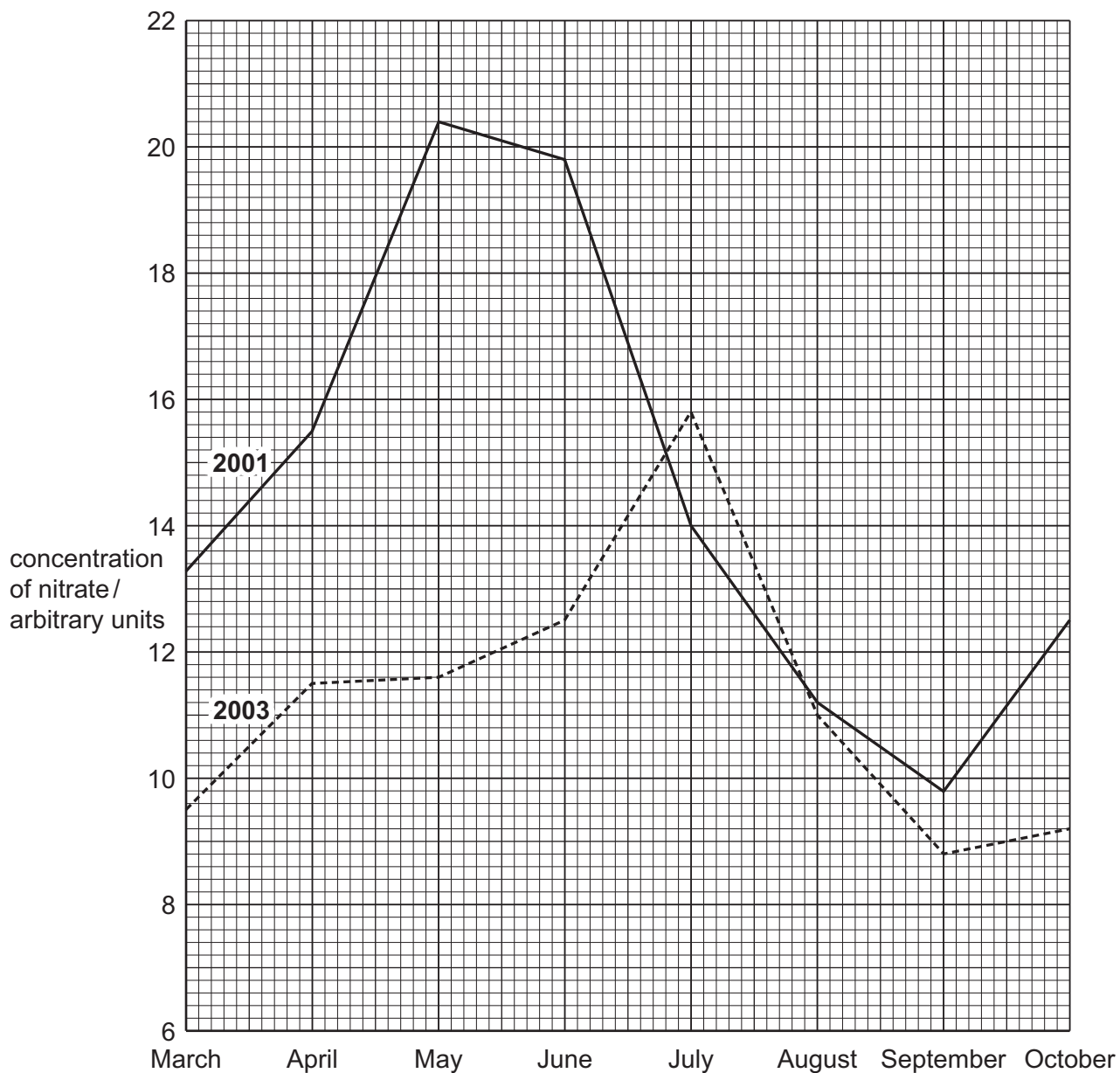


Fig. 7.1

(a) (i) In 2001, in which month was the concentration of nitrate in the soil the highest?

..... [1]

(ii) Describe two ways in which the nitrate concentration in the soil in 2003 was different from the concentration in 2001.

- 1. [2]
- 2. [2]

(b) The farmer was worried that the nitrate concentration in the field might be too low. He decided to try to increase it.

(i) Explain why increasing the nitrate concentration in the field might help the farmer.

.....

 [2]

(ii) Suggest how he could increase the nitrate concentration in the field.

..... [1]

(c) The farmer feeds the maize to cattle. He sells meat from the cattle for people to eat.

(i) Draw a food chain to show this information.

[1]

(ii) What do the arrows in your food chain represent?

..... [1]

(d) When the maize plants are harvested, their roots are left in the soil.

Describe how the carbon compounds in the roots will be turned into carbon dioxide and released into the air.

.....

 [2]

8 The bodywork of a car is usually made from steel.

(a) If part of the bodywork goes very rusty it is usually removed and replaced with plastic filler, before being painted.

A car mechanic can use a magnet to find out if parts of the bodywork of a car have been filled with plastic filler.

He tests three areas of a car by placing a magnet near the surface as shown in Fig. 8.1.

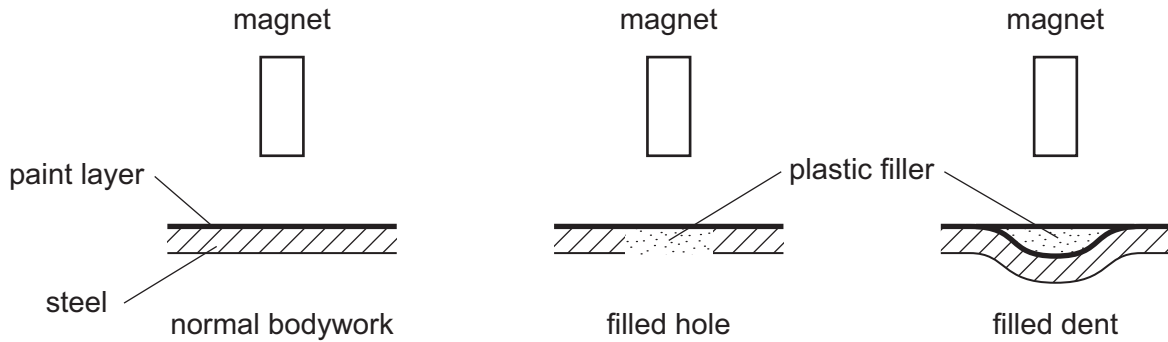


Fig. 8.1

(i) Complete the table.

area	effect on a magnet
normal bodywork	
filled hole	
filled dent	weakly attracted

[2]

(ii) What assumption have you made about the properties of plastic filler?

..... [1]

(iii) Would this method work if the bodywork was made of aluminium?

Explain your answer.
..... [1]

(iv) Suggest why the bodywork of some cars is made from aluminium rather than steel.

..... [1]

(b) Exhaust gases from a car engine leave the car through a solid steel exhaust pipe.

Complete the sentences below about solids and gases.
Use **only** the words **solid** or **gas**.

In a, the particles are closer together than in a

The forces of attraction between particles are stronger in a than in a

When a is heated it will eventually turn into a liquid.

In a, the particles can only vibrate and not move.

Heat energy will travel through a by conduction.

Heat energy will **not** travel through a by convection.

[4]

For
Examiner's
Use

9 Heat energy is obtained when hydrocarbon fuels are burned. Natural gas, methane, is an important hydrocarbon fuel. Natural gas is extracted from the Earth's crust.

(a) State why natural gas is called a *fossil fuel*.

.....
 [1]

(b) Explain why the burning of hydrocarbon fuels is thought to be causing significant changes to our environment.

.....

 [2]

(c) Biogas is an alternative source of methane made from biodegradable materials. Biogas may be obtained from landfill sites and reaction vessels called digesters.

Some information about two sources of biogas are shown in Table 9.1.

Table 9.1

	% of substances in the biogas mixture	
	biogas from a digester	biogas from landfill
methane	60 – 70	45 – 55
carbon dioxide	30 – 40	30 – 40
nitrogen	less than 1	5 – 15

(i) Describe a chemical test which would show that biogas contains carbon dioxide.

.....

 [2]

(ii) Use the information in Table 9.1 to suggest why 1.0 kg of biogas from a digester produces more heat energy when burned than 1.0 kg of biogas from a landfill site.

.....

 [2]

BLANK PAGE

10 Enzymes are proteins that act as catalysts.

(a) Explain the meaning of the term *catalyst*.

.....

.....

..... [2]

(b) Amylase, protease and lipase are enzymes that digest food in the alimentary canal.

Draw lines to link each enzyme with the food type that it digests, and the molecules that digestion produces.

food digested	enzyme	molecules produced
fats	amylase	amino acids
proteins	protease	fatty acids and glycerol
starch	lipase	maltose (sugar)

[3]

(c) A good diet contains fibre. Fibre cannot be digested.

(i) Describe what happens to fibre that is eaten.

.....

.....

..... [2]

(ii) Explain why fibre is an important part of a healthy diet.

.....

..... [1]

(iii) Name **one** food that is a good source of fibre.

..... [1]

11 Starch, cellulose and proteins are compounds found in plants.

(a) (i) State the **chemical symbols** of the three elements which are combined together in starch.

..... [1]

(ii) The chemical bonds in starch are formed by atoms sharing pairs of electrons.

Name this type of chemical bonding.

..... [1]

(b) Plants contain proteins, which are compounds containing nitrogen atoms. These atoms have been obtained from gaseous nitrogen in the air by nitrogen fixation.

(i) Explain the meaning of the term *nitrogen fixation*.

.....
.....
..... [2]

(ii) When some types of protein are heated in sodium hydroxide solution, a gas is produced which turns damp red litmus paper blue.

Name this gas.

..... [1]

(iii) A nitrogen atom has a *nucleon number* of 14.

Explain this statement.

.....
..... [2]

(c) State two important types of compound, other than those used for food, which may be extracted from plants.

1.

2. [2]

- 12 (a) The circuit in Fig. 12.1 was set up and the current measured by meters M_1 , M_2 , M_3 , M_4 and M_5 .

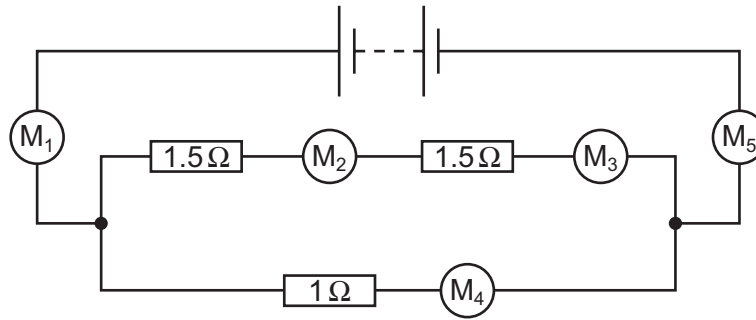


Fig. 12.1

- (i) What type of meter is M_1 ?

..... [1]

- (ii) The readings on M_1 , M_3 , M_4 , and M_5 are shown in Table 12.1.

Complete the table for M_2 .

Table 12.1

$M_1 = 4A$
$M_2 =$
$M_3 = 1A$
$M_4 = 3A$
$M_5 = 4A$

- (iii) Calculate the total resistance of the 1.5Ω and 1.5Ω resistors in series.

[1]

..... [1]

- (iv) The voltage across the $1\ \Omega$ resistor is 3 V.

Use the formula

$$\text{power} = \text{voltage} \times \text{current}$$

to calculate the power consumed in the $1\ \Omega$ resistor.

Show your working.

..... W [1]

- (b) The current flows through M_1 for one minute.

Calculate the charge which has passed.

State the formula that you use and show your working.

formula

working

..... C [2]

DATA SHEET
The Periodic Table of the Elements

		Group															
		I	II	III	IV	V	VI	VII	VIII	IX	X						
		1 H Hydrogen 1															
7	9	Li Lithium 3	Be Beryllium 4											He Helium 2			
23	24	Na Sodium 11	Mg Magnesium 12											Ne Neon 10			
39	40	K Potassium 19	Ca Calcium 20	51 V Vanadium 23	48 Ti Titanium 22	45 Sc Scandium 21	59 Co Cobalt 27	56 Fe Iron 26	55 Mn Manganese 25	64 Cu Copper 29	65 Zn Zinc 30	70 Ga Gallium 31	73 Ge Germanium 32	75 As Arsenic 33	79 Se Selenium 34	80 Br Bromine 35	84 Kr Krypton 36
85	88	Rb Rubidium 37	Sr Strontium 38	93 Nb Niobium 41	91 Zr Zirconium 40	89 Y Yttrium 39	103 Rh Rhodium 45	101 Ru Ruthenium 44	106 Pd Palladium 46	108 Ag Silver 47	112 Cd Cadmium 48	115 In Indium 49	119 Sn Tin 50	122 Sb Antimony 51	128 Te Tellurium 52	127 I Iodine 53	131 Xe Xenon 54
133	137	Cs Caesium 55	Ba Barium 56	181 Ta Tantalum 73	178 Hf Hafnium 72	139 La Lanthanum 57	184 W Tungsten 74	190 Os Osmium 76	195 Pt Platinum 78	197 Au Gold 79	201 Hg Mercury 80	204 Tl Thallium 81	207 Pb Lead 82	209 Bi Bismuth 83	210 Po Polonium 84	210 At Astatine 85	210 Rn Radon 86
	226	Fr Francium 87	Ra Radium 88											Ac Actinium 89			
													*58-71 Lanthanoid series				
													†90-103 Actinoid series				
		Key		a = relative atomic mass		X = atomic symbol		b = proton (atomic) number									
		a	X	b													
140	141	Ce Cerium 58	Pr Praseodymium 59	144 Nd Neodymium 60	150 Sm Samarium 62	152 Eu Europium 63	157 Gd Gadolinium 64	159 Tb Terbium 65	162 Dy Dysprosium 66	165 Ho Holmium 67	167 Er Erbium 68	169 Tm Thulium 69	173 Yb Ytterbium 70	175 Lu Lutetium 71			
232	238	Th Thorium 90	Pa Protactinium 91	238 U Uranium 92	238 Np Neptunium 93	238 Pu Plutonium 94	238 Am Americium 95	238 Cm Curium 96	238 Bk Berkelium 97	238 Cf Californium 98	238 Es Einsteinium 99	238 Fm Fermium 100	238 Md Mendelevium 101	238 No Nobelium 102	238 Lr Lawrencium 103		

The volume of one mole of any gas is 24 dm³ at room temperature and pressure (r.t.p.).

Permission to reproduce items where third-party owned material protected by copyright is included has been sought and cleared where possible. Every reasonable effort has been made by the publisher (UCLES) to trace copyright holders, but if any items requiring clearance have unwittingly been included, the publisher will be pleased to make amends at the earliest possible opportunity.

University of Cambridge International Examinations is part of the Cambridge Assessment Group. Cambridge Assessment is the brand name of University of Cambridge Local Examinations Syndicate (UCLES), which is itself a department of the University of Cambridge.